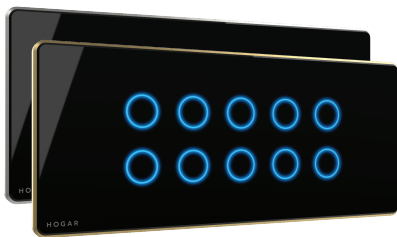




HOGAR

PRIMA 10 TOUCH



Metallic bezel:
Glass Panel:

DESCRIPTION

A Prima 10 Touch Switch operates independently or as part of the Hogar Controls home automation system or with any certified Z-Wave home automation system. It can be operated either in a bi-stable Relay mode or Touch pulse mode for Scene control with max. Load current of 5A per each channel.



HEAT, HUMIDITY AND SHOCK PROOF



SLEEK AND STYLISH DESIGN



RETROFIT IN 2 MINS



CAPACITIVE TOUCH SENSORS



Z-WAVE COMPATIBLE



ENERGY CONSERVATION



MULTIPLE CONTROLS WITH A SINGLE TOUCH



SUPPORTS INTEGRATION WITH VOICE AND APP

SPECIFICATIONS

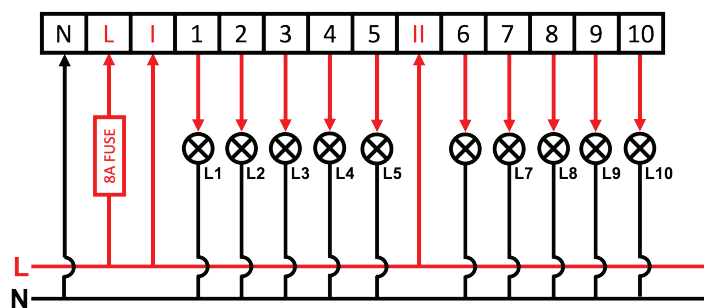
Model number	HTP-1050-BXX-IN XX denotes color of Bezel and Glass plate
Gang box Size	6 Modular British Standard
Dimensions (L*W*B)	233x100x34.2 mm
Power Rating	110 – 240V AC, 50 Hz
Load Rating	1000W Resistive (Incandescent Bulbs) 150W Capacitive (LED Lights) 150W Inductive (Motors, Fan, hairdryer)
Weight	430g
Operating Temperature	32 °F to 104 °F or 0 °C to 40 °C
Storage Temperature	-4 °F to 158 °F or -20 °C to 70 °C
Humidity	0- 90%
Wireless Range	50m outdoor - 30m indoor
Radio protocol, Power	Z-Wave Plus, 1mW
Radio Frequency	EU 868.4MHz, IN 865.2MHz BR/AU 921.4MHz, US 908 MHz

PRE-INSTALLATION MANDATORY CHECKS

- It is always advised to consult a certified electrician to perform the installation process.
- Ensure the Load capacity & Power requirements of your intended switch matches the technical specifications.
- Ensure you follow all national and local electrical codes for installation.
- **TURN OFF** the mains to make sure no power is running.
- Open the existing Wall Switch/Faceplate (if any). You may use a flathead screwdriver to open the switch gently.

INSTALLATION AND CONFIGURATION

- Open the frame of the Prima Touch panel.
- Refer to the line wiring diagram and connect the wires accordingly as Line In/Hot, Neutral, Load, and Earth Ground wires. Make sure the wires are properly screwed to avoid loose connections.



- Neatly push the wires into the gang box and gently screw the PCB box on the wall. Turn the Main **Power ON**, and the LED lights blink blue.

CONFIGURATION TO Z-WAVE CONTROLLER

- Keep the device within Z-Wave range of Controller.
- **Adding a switch:** Set Controller in Add/Include mode. Touch and hold the panel button for 5 sec until all LEDs blink in blue color and the app displays "device found".
- **Removing a Switch:** Set the Controller in Remove/Exclude mode. Touch and hold the panel button for 5 seconds until all LEDs blink in blue color and in the app displays "device removed".
- **Factory Reset:** Press Config button continuously 5 times and all LEDs blink in RED color 4 times and then BLUE color 4 times indicating factory reset.
- Once the configuration is done, place the glass panel neatly over the PCB Box and gently push it to lock it over the switch.

WARRANTY

Hogar provides limited warranty of 18 months on every Prima Touch Panel

ENQUIRY

For Orders/Details, kindly reach out to us at info@hogarcontrols.com or scan QR code.

