



LIGHT DIMMER
SMART MODULE SERIES

#SwitchToSmart



DESCRIPTION

The Light Dimmer Insert Module enables you to control the dimming functionality of light at the comfort of your Hogar Pro App.



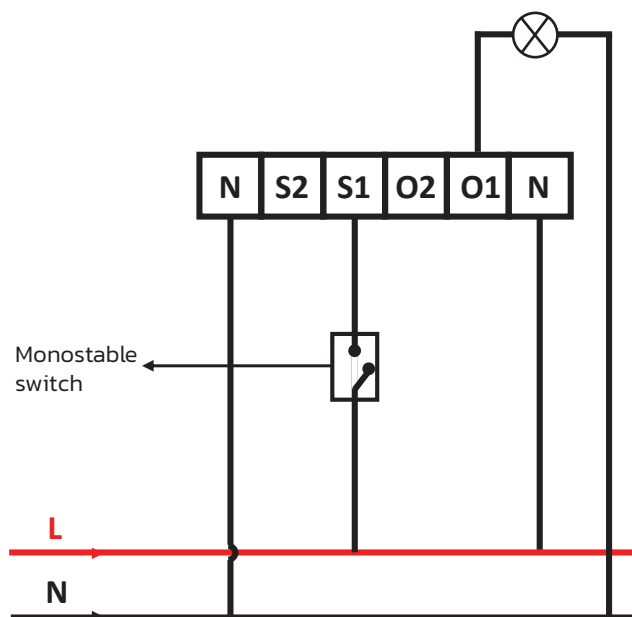
SPECIFICATIONS

Model Number	HC-IM-ID-IN
Power Requirement	AC 110-230V, 50-60Hz.
Dimensions	37x37x18.3mm (L*W*H)
Load Rating	<ul style="list-style-type: none"> • 300W Resistive (Incandescent Bulbs) • 150W Capacitive (LED Lights)
Operating Temperature	32°F - 104°F or 0°C - 40°C
Humidity	0-90%
Storage	-4°F to 158°F or 20°C to 70°C
Wireless Specifications	
Wireless Range	50m Outdoor - 20m Indoor
Radio Protocol	Z-Wave Plus
Radio Signal Power	1m
Radio Frequency	EU - 868.40/869.40 MHz IN - 865.20 MHz BR/AU - 919.80/ 921.40 MHz US - 908.40/ 916/ 908.49 MHz
Number Of Output/Channel	
Light Dimming	One

PRE INSTALLATION MANDATORY CHECKS

- It is always advised to consult a certified electrician to perform the installation process.
- Ensure the Load capacity & Power requirements of your intended switch matches the technical specifications.
- Ensure you follow all national and local electrical codes for installation.
- **TURN OFF** the mains to make sure no power is running. You may check the same by using an inductive voltage detector
- Open the Wall Switch/Faceplate. You may use a flathead screwdriver to open the switch gently.

INSTALLATION



CONFIGURATION TO ZWAVE CONTROLLER

1. Set the controller into inclusion mode (Refer controller's manual for instructions)
2. Turn **ON** the mains.
3. Press and Hold config button for 5-7 seconds till **LED** blinks **BLUE** & then release.
4. On successful addition of the device, the controller sends a confirmation

WARRANTY

Hogar Provides Limited Warranty of 18 months on every product.

ENQUIRY

For Orders/Details, kindly reach out to us at info@hogarcontrols.com



Scan QR code for more details on warranty and sales enquiries